

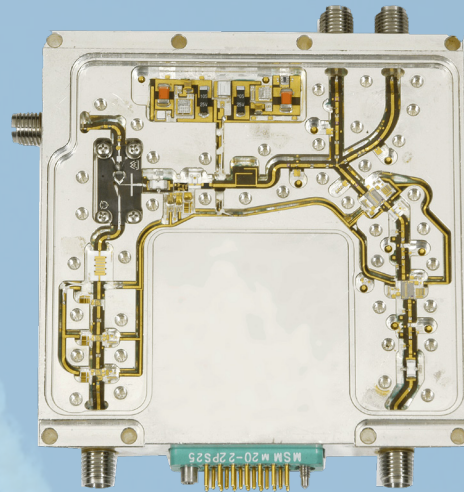
KRATOS | GENERAL MICROWAVE Microwave Electronics Division

FREQUENCY CONVERTERS

KRATOS GENERAL MICROWAVE is a world leader in the design and production of custom complex Integrated Microwave Assemblies (IMA). Frequency up and down converters are part of the IMA product line.

Main Features

- Wide Band Frequency Range
- High Image Rejection
- Low N.F.
- Tight Flatness
- IF Threshold Detector
- Airborne

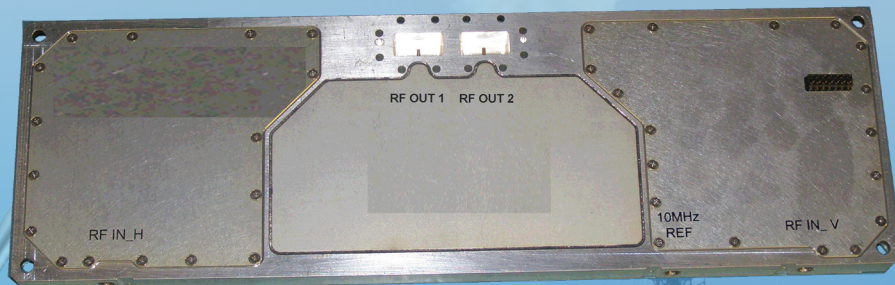


FREQUENCY UP CONVERTER

Applications

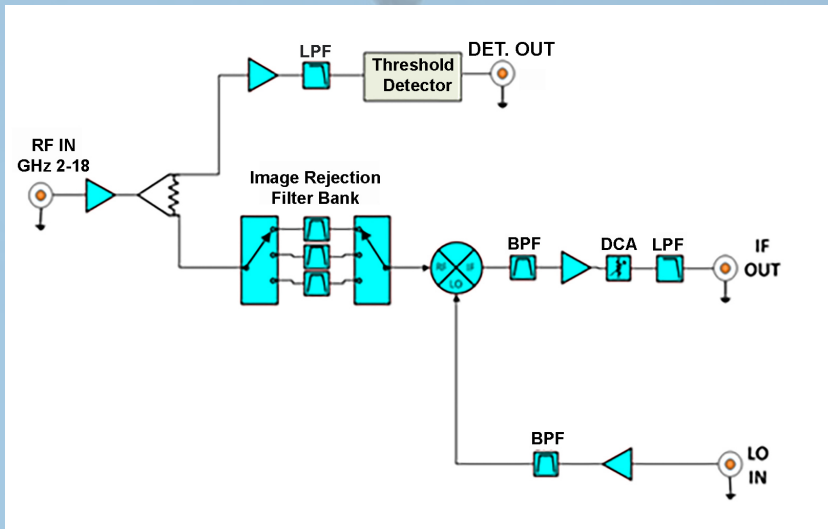
KRATOS General Microwave provides various types of Up and Down Frequency Converters. Frequency Converters are customized products designed to meet specific system requirements. The Frequency Converters supplied by KRATOS General Microwave are being used mainly in Electronic Warfare (EW), Signal Intelligence (SIGINT) systems and Missile Seekers.

KRATOS General Microwave also provides the Block Up Converter (BUC) assemblies and the Low Noise Block Converter (LNB) subassembly for SATCOM applications, such as In-flight Connectivity.



DUAL CHANNEL BUC SUBASSEMBLY

Typical Frequency Down Converter



Frequency Down Converter - Typical Specifications

PARAMETER		SPECIFICATION
1	Input Frequency Range (GHz)	2 to 18
2	IF Output (GHz)	2 to 6
3	Noise Figure (dB) max.	11
4	VSWR	2.0:1
5	LO Input Power (dBm)	-2
6	In-Band Harmonics (dB) typical	15
7	In-Band Spurious (dB) typical	15
8	IF Linear Dynamic Range (dB) typical	55
9	Input Power (dBm) min.	-67
10	Power Supply (V)	±8.5
11	Protection	Over Voltage, Reverse Polarity, Surge Protection
12	RF Connectors	SMA Female
13	Control Connector	Micro-D
14	Dimensions (mm) approximately	130x87x23
15	Environmental Requirements	Fighter Aircraft

KRATOS | GENERAL MICROWAVE Microwave Electronics Division

ISRAEL

JERUSALEM SITE:

20 Pierre Koenig

Jerusalem 9153102

Tel: +972-2-568-9444

kratos-gmi@kratos-med.com

ISRAEL

EYAL SITE:

Kibbutz Eyal

D.N.Hasharon Hatichon 4584000

Tel: +972-9-749-9100

kratos-eyal@kratos-med.com

USA

NEW YORK SITE:

227A Michael Drive

Syosset, New York 11791

Tel: +1-516-802-0900

kratos-gmc@kratosdefense.com

www.kratosmed.com