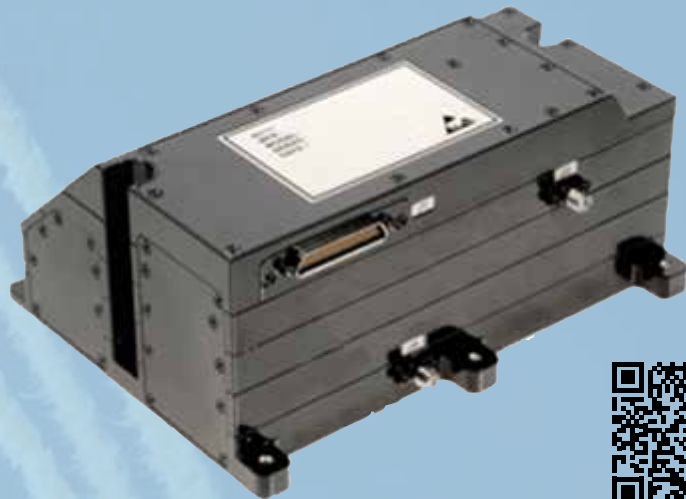


KRATOS® | GENERAL MICROWAVE Microwave Electronics Division

DIRECT SYNTHESIZER

Main Features

- Broad Frequency Range
- Fast Switching Speed
- Low Phase Noise
- Coherency Guaranteed
- Airborne



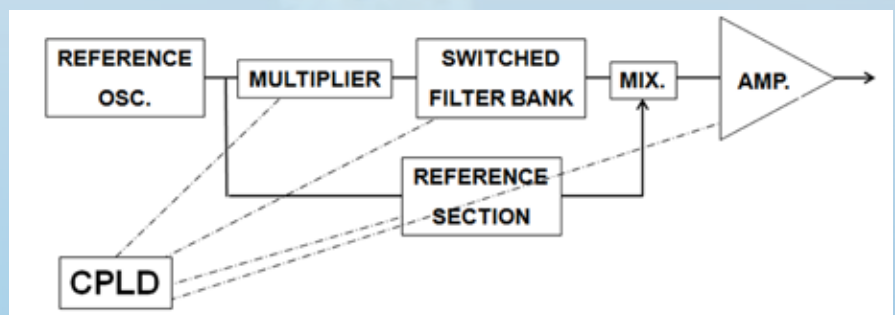
APPLICATIONS

General Microwave designs and manufactures a variety of Custom and Commercial Off-The-Shelf (COTS) Integrated Microwave Assemblies (IMA). These IMAs are building blocks for various electronic systems. Of particular importance is our Direct Synthesizer that was designed for Electronic Warfare (EW) systems and for other applications that require high performance broadband synthesizer for Airborne, Naval and Ground applications.

Direct Synthesizer - Block Diagram

The Direct Synthesizer utilizes a high performance reference crystal oscillator at 100 MHz, this signal is multiplied, filtered and selected by the mixer. The compensated broad band amplifier sets the output to the required power level over frequency and temperature. The operation of the Direct Synthesizer is controlled by the CPLD.

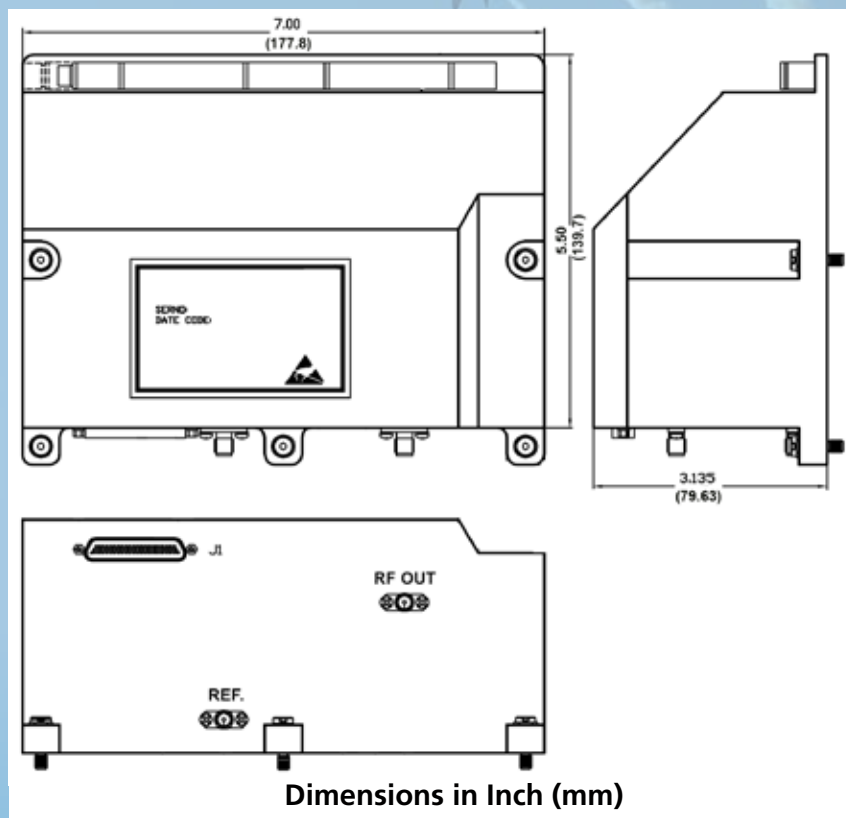
The modular design of the direct synthesizer, enables us to adopt it for various specific requirements.



Typical specifications - Direct Synthesizer

	PARAMETER	SPECIFICATION
1	Frequency Range (GHz)	9 to 15
2	Frequency Settling Time, max. (nSec.)	50
3	Step Size, max. (MHz)	50
4	Output Power, min. (dBm)	10
5	Reference Crystal Oscillator (MHz)	100
6	Harmonics, max. (dBc)	-40
9	Spurious, max. (dBc)	-40
10	Phase Noise, max (dBc/Hz)	
10.1	@1 kHz offset	-90
10.2	@10 kHz offset	-105
10.3	@100 kHz offset	-113
10.4	@1 MHz offset	-115

Dimensions and Outline



Jerusalem Site:

20 Pierre Koenig
P.O.B 53278
Jerusalem, Israel 9153102
Phone: +972-2-5689444
E-mail: sales@hgmi.biz

KRATOS | GENERAL MICROWAVE
Microwave Electronics Division



www.kratosmed.com

Eyal Site:

D.N. Hasharon Hatichon
Kibbutz Eyal
Israel 4584000
Phone: +972-9-7499100
E-mail: info@eyal-emi.co.il